

# DIMENSIONS & DATA CERTIFIED FOR:

Representative:

Order:

Customer:

Order:

Project:

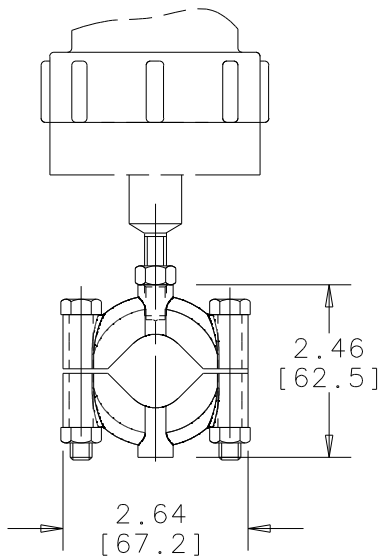
Requirements:

By:

Date:

Mounting Hardware:

WaveGuide



1"[25DN] Clamp Shown Above

Transmitter Shown In Phantom  
Not Included In Kit

Name Of Part

Material

WaveGuide;  
Clamp Half, Lower  
Clamp Half, Threaded

T304 S.S.

Bolt  
Washer, Flat  
Washer, Lock  
Nut

Zinc Plated CS Gr. 5

Wave Guide Kit

Pipe Size

Qty.

1/2[15DN] & 3/4[20DN]

3

1"[25DN]

1

Product

ENGLISH

CD No.

Date



**Armstrong**

www.armstronginternational.com

SteamEye Starter Kit  
W/ WaveGuide 1/2, 3/4 & 1"

WEB  
Y | N  
- | ✓

2098

12/14/07

Rev; A sht. 3

By; paulg